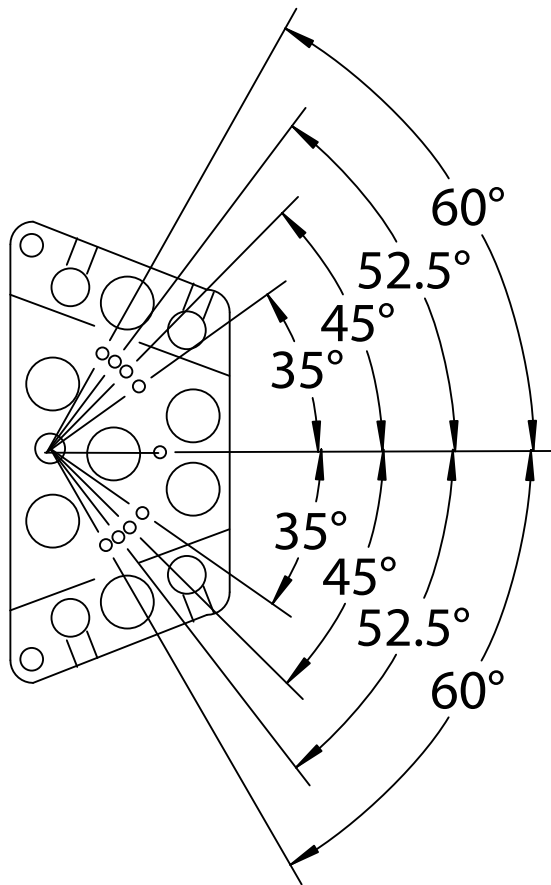


Plate Plan View
with angle dimensions



Positions for
Right-angle set-up

